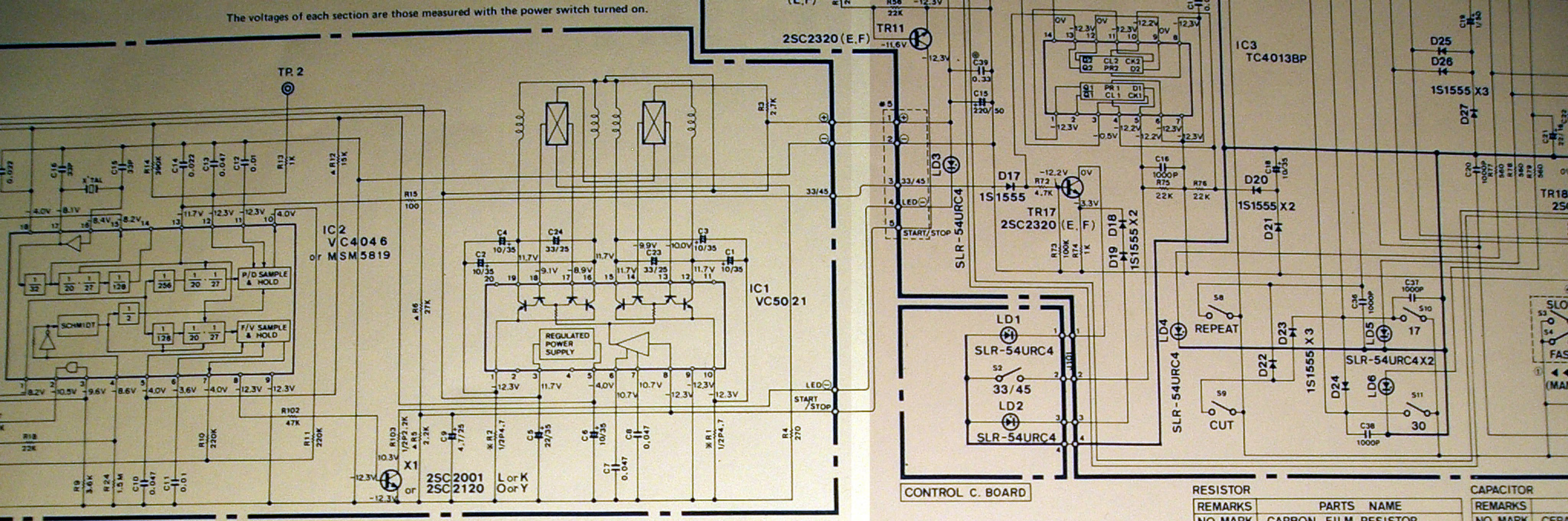
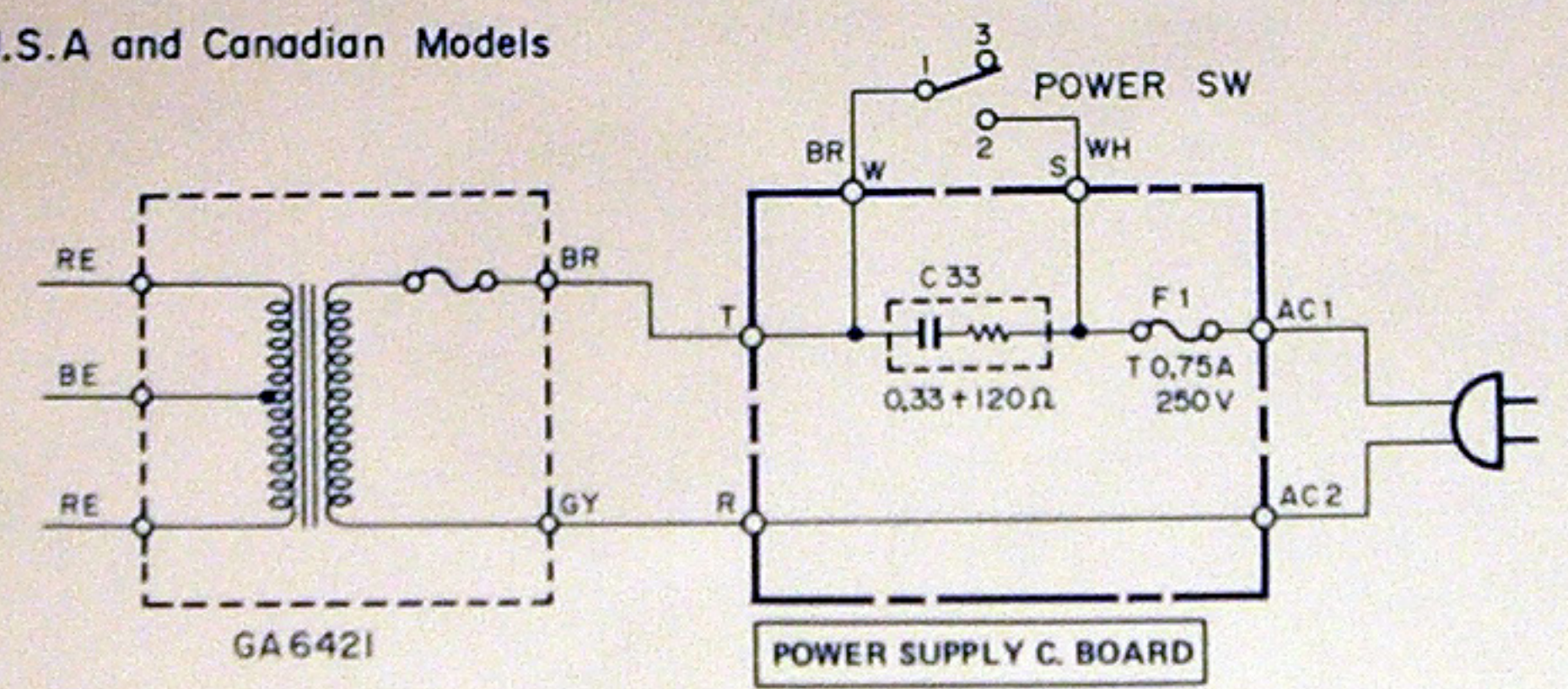


The voltages of each section are those measured with the power switch turned on.

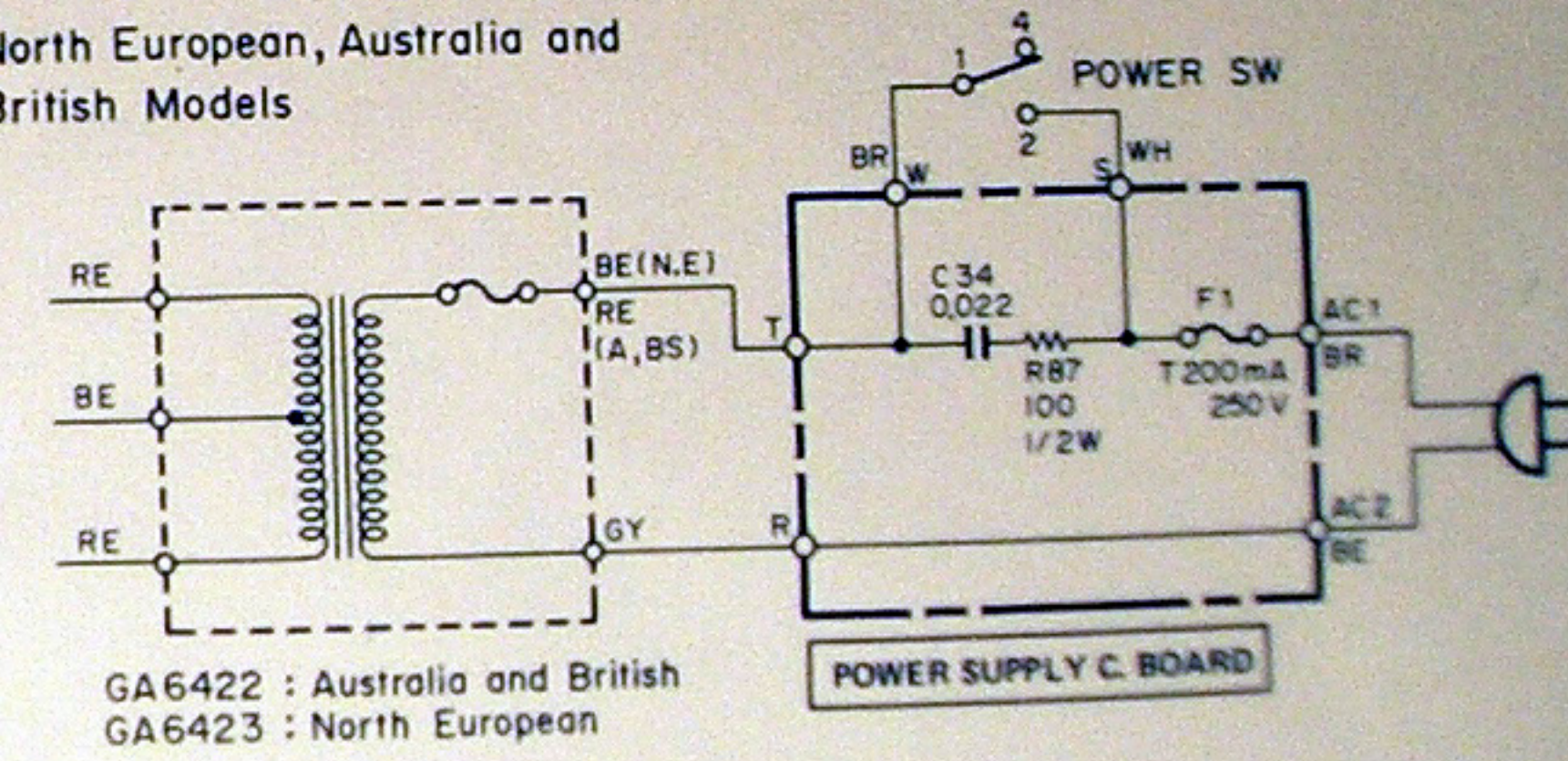


RESISTOR		CAPACITOR	
REMARKS	PARTS NAME	REMARKS	PARTS NAME
NO MARK	CARBON FILM RESISTOR	NO MARK	CERAMIC
▲	METAL FILM RESISTOR	⊗	POLY
△	METAL OXIDE FILM RESISTOR		
□	CEMENT MOLDED RESISTOR		
*	FUSIBLE RESISTOR		

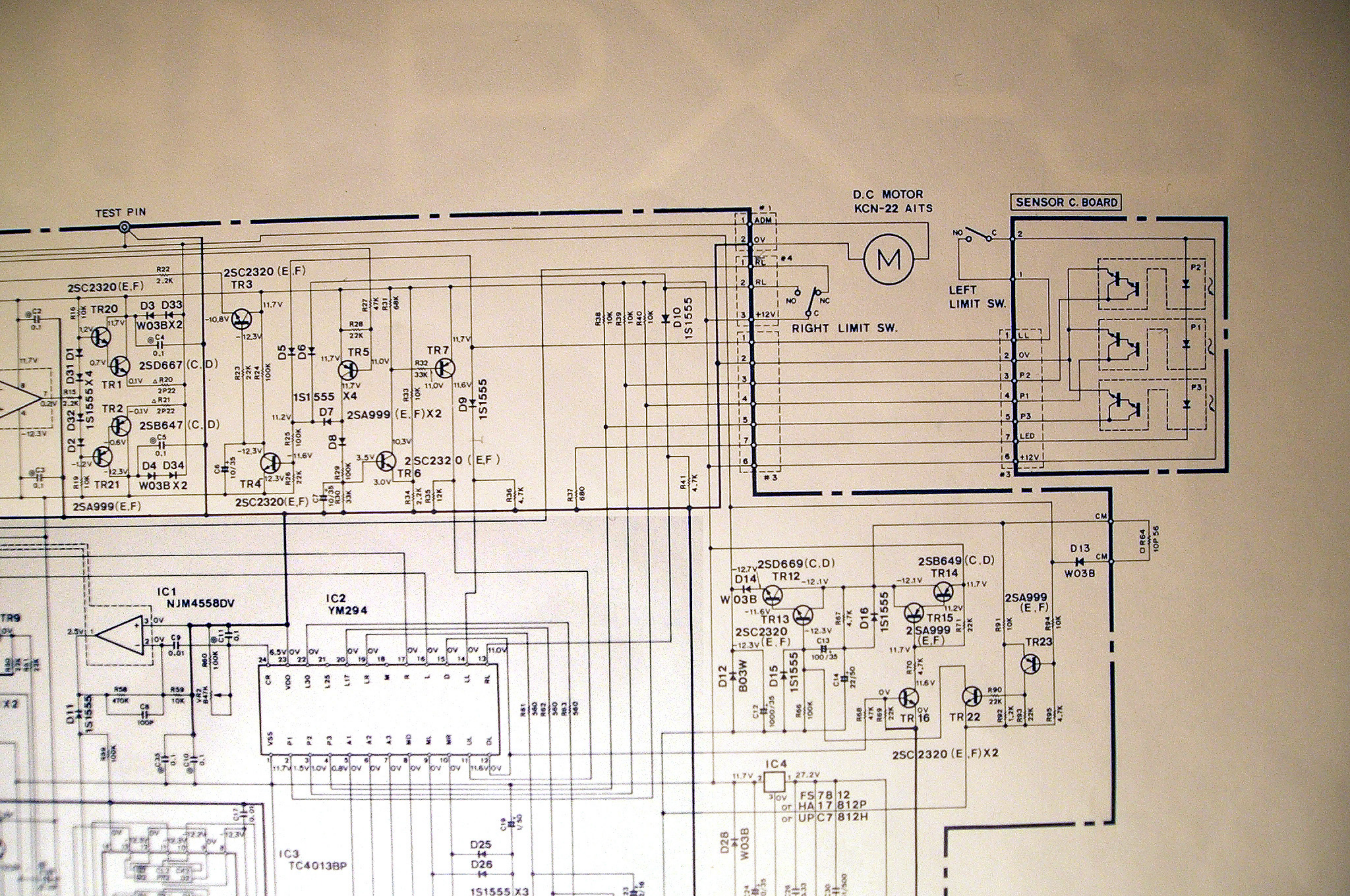
• U.S.A and Canadian Models

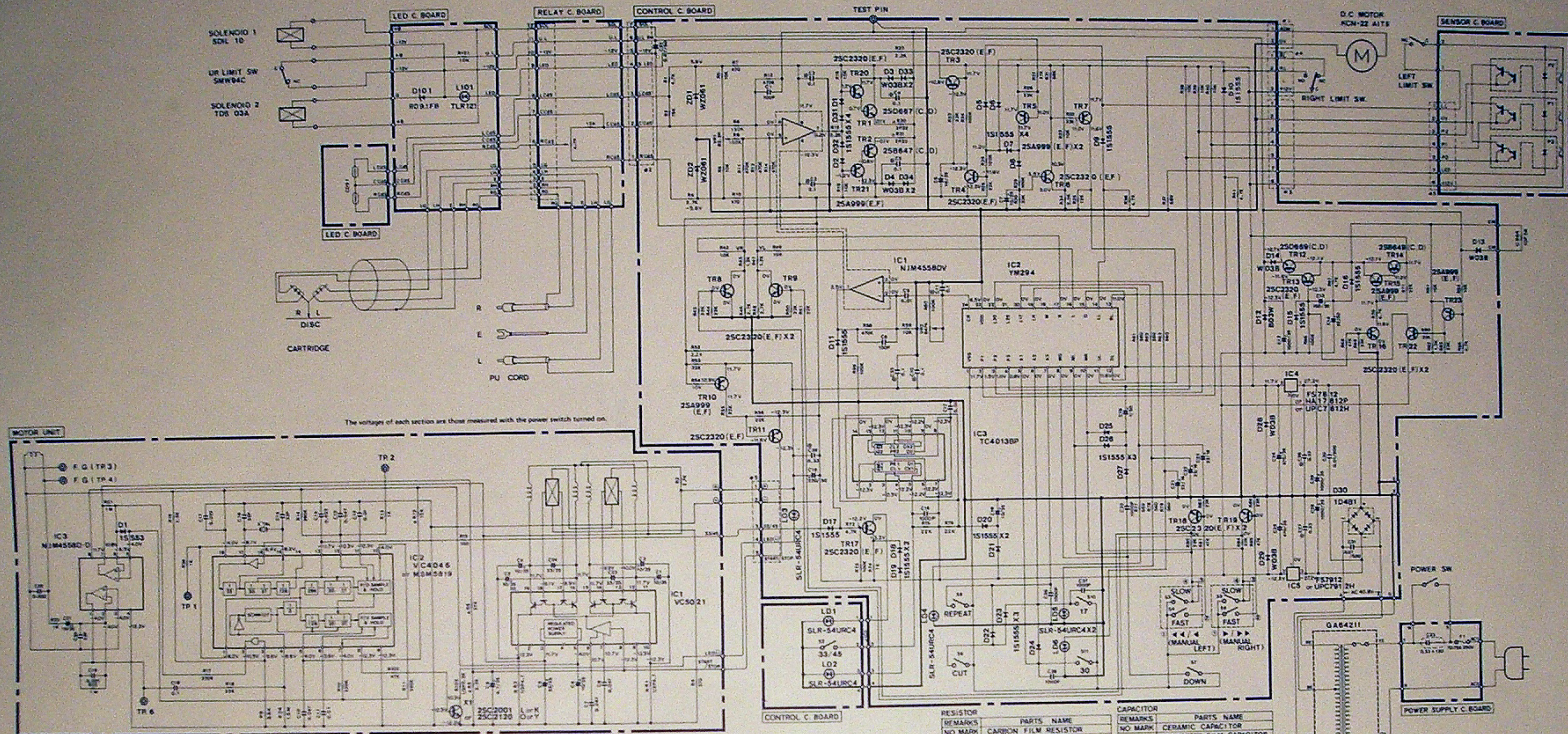


• North European, Australia and British Models



GA6422 : Australia and British
GA6423 : North European

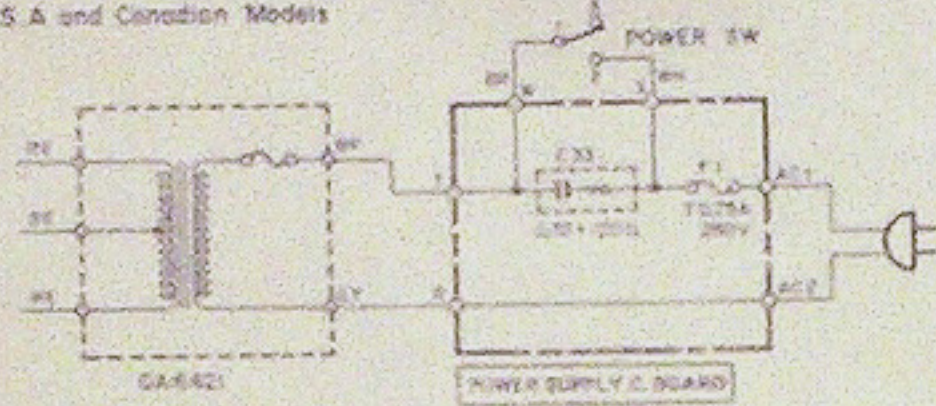




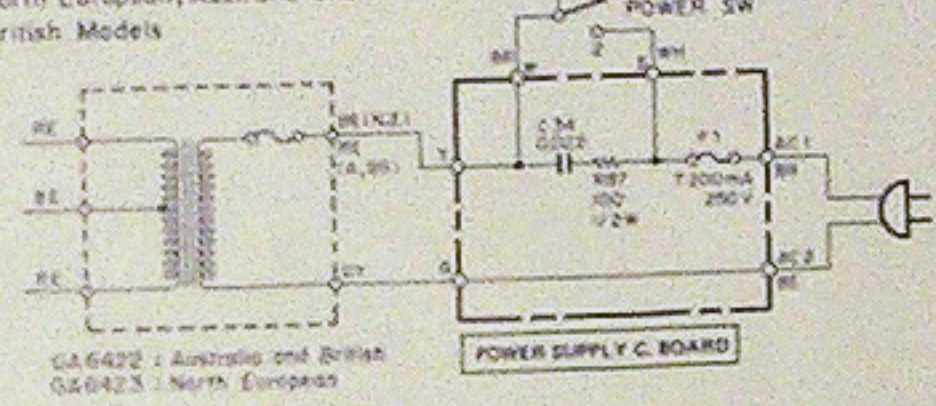
The voltages of each section are those measured with the power switch turned on.

RESISTOR		CAPACITOR	
REMARKS	PARTS NAME	REMARKS	PARTS NAME
NO MARK	CARBON FILM RESISTOR	NO MARK	CERAMIC CAPACITOR
△	METAL FILM RESISTOR	■	POLYESTER FILM CAPACITOR
□	METAL OXIDE FILM RESISTOR		
○	CEMENT MOLDED RESISTOR		
*	FUSIBLE RESISTOR		

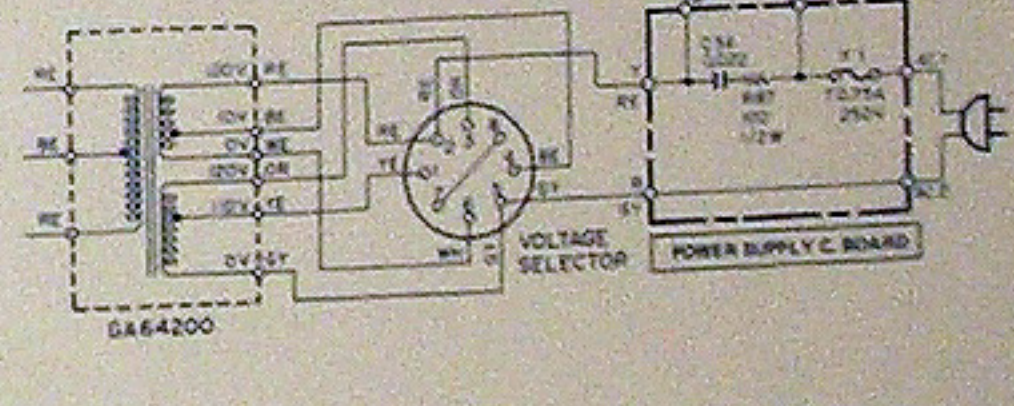
• U.S.A. and Canadian Models



• North European, Australia and British Models



• General Model

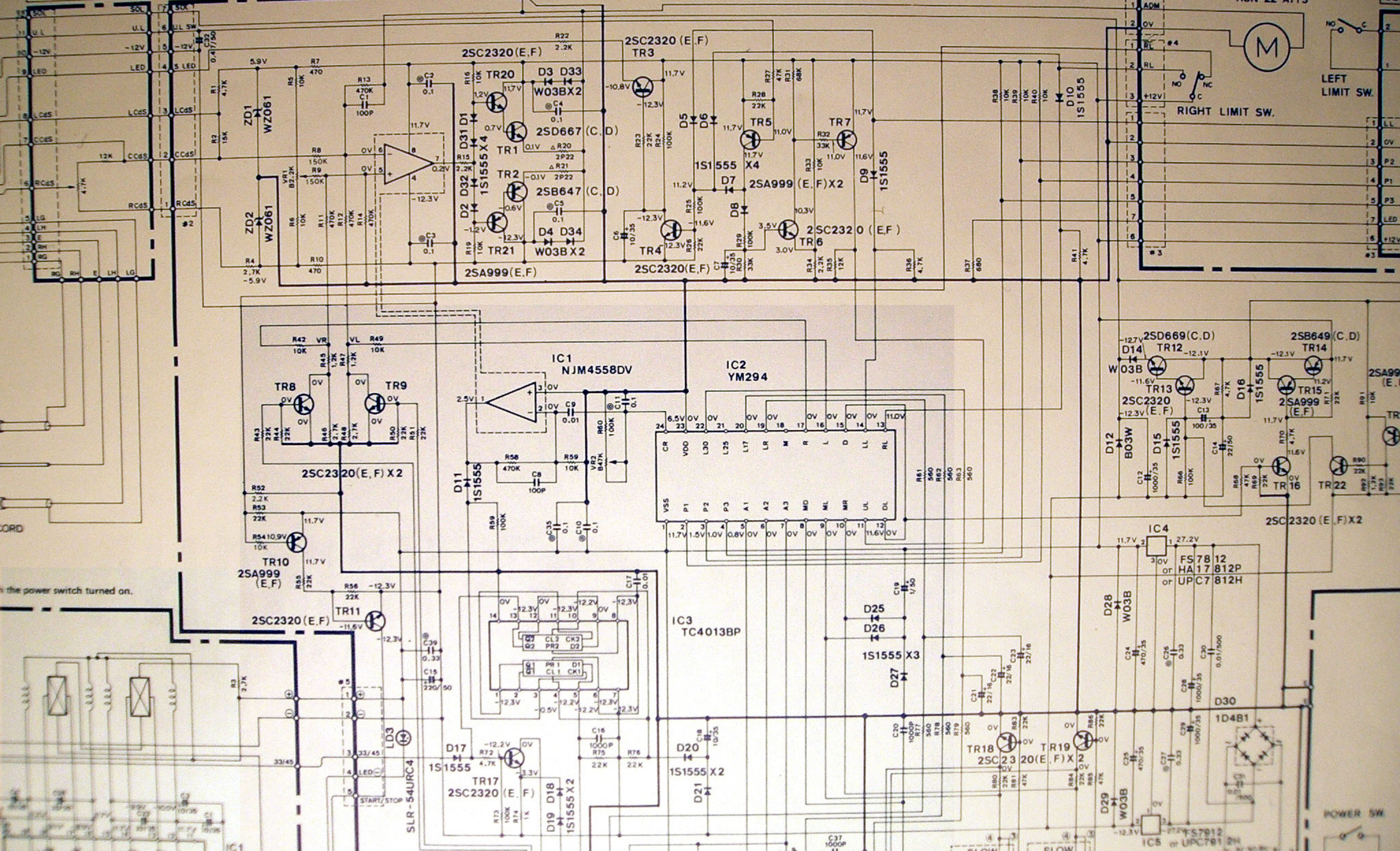


RELAY C. BOARD

CONTROL C. BOARD

TEST PIN

D.C. MOTOR
KCN-22 AITS



U.L.

-12V

LED

LCdS

CCdS

RCdS

LG

LH

RH

E

LH

LG

U.L.

-12V

LED

LCdS

CCdS

RCdS

LG

LH

RH

E

LH

LG

U.L.

-12V

LED

LCdS

CCdS

RCdS

LG

LH

RH

E

LH

LG

LEFT LIMIT SW.

RIGHT LIMIT SW.

POWER SW.

the power switch turned on.

IC1

IC5

IC6

IC7

IC8

IC9

IC10

IC11

IC12

IC13

IC14

IC15

IC16

IC17

IC18

IC19

IC20

IC21

IC22

IC23

IC24

IC25

IC26

IC27

IC28

IC29

IC30

IC31

IC32

IC33

IC34

IC35

IC36

IC37

IC38

IC39

IC40

IC41

IC42

IC43

IC44

IC45

IC46

IC47

IC48

IC49

IC50

IC51

IC52

IC53

IC54

IC55

IC56

IC57

IC58

IC59

IC60

IC61

IC62

IC63

IC64

IC65

IC66

IC67

IC68

IC69

IC70

IC71

IC72

IC73

IC74

IC75

IC76

IC77

IC78

IC79

IC80

IC81

IC82

IC83

IC84

IC85

IC86

IC87

IC88

IC89

IC90

IC91

IC92

IC93

IC94

IC95

IC96

IC97

IC98

IC99

IC100

IC101

IC102

IC103

IC104

IC105

IC106

IC107

IC108

IC109

IC110

IC111

IC112

IC113

IC114

IC115

IC116

IC117

IC118

IC119

IC120

IC121

IC122

IC123

IC124

IC125

IC126

IC127

IC128

IC129

IC130

IC131

IC132

IC133

IC134

IC135

IC136

IC137

IC138

IC139

IC140

IC141

IC142

IC143

IC144

IC145

IC146

IC147

IC148

IC149

IC150

IC151

IC152

IC153

IC154

IC155

IC156

IC157

IC158

IC159

IC160

IC161

IC162

IC163

IC164

IC165

IC166

IC167

IC168

IC169

IC170

IC171

IC172

IC173

IC174

IC175

IC176

IC177

IC178

IC179

IC180

IC181

IC182

IC183

IC184

IC185

IC186

IC187

IC188

IC189

IC190

IC191

IC192

IC193

IC194

IC195

IC196

IC197

IC198

IC199

IC200

IC201

IC202

IC203

IC204

IC205

IC206

IC207

IC208

IC209

IC210

IC211

IC212

IC213

IC214

IC215

IC216

IC217

IC218

IC219

IC220

IC221

IC222

IC223

IC224

IC225

IC226

IC227

IC228

IC229

IC230

IC231

IC232

IC233

IC234

IC235

IC236

IC237

IC238

IC239

IC240

IC241

IC242

IC243

IC244

IC245

IC246

IC247

IC248

IC249

IC250

IC251

IC252

IC253

IC254

IC255

IC256

IC257

IC258

IC259

IC260

IC261

IC262

IC263

IC264

IC265

IC266

IC267

IC268

IC269

IC270

IC271

IC272

IC273

IC274

IC275

IC276

IC277

IC278

IC279

IC280

IC281

IC282

IC283

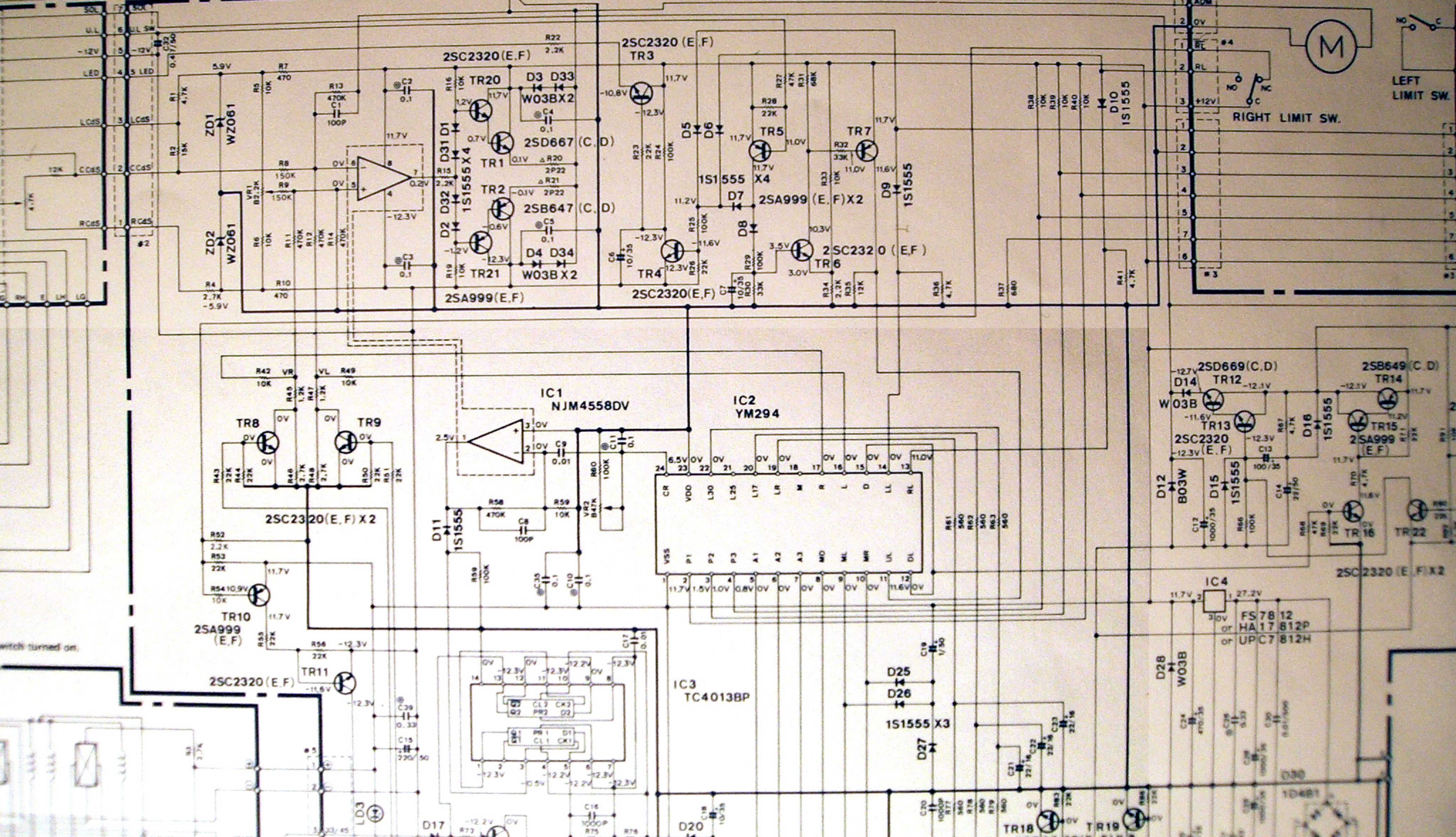
IC284

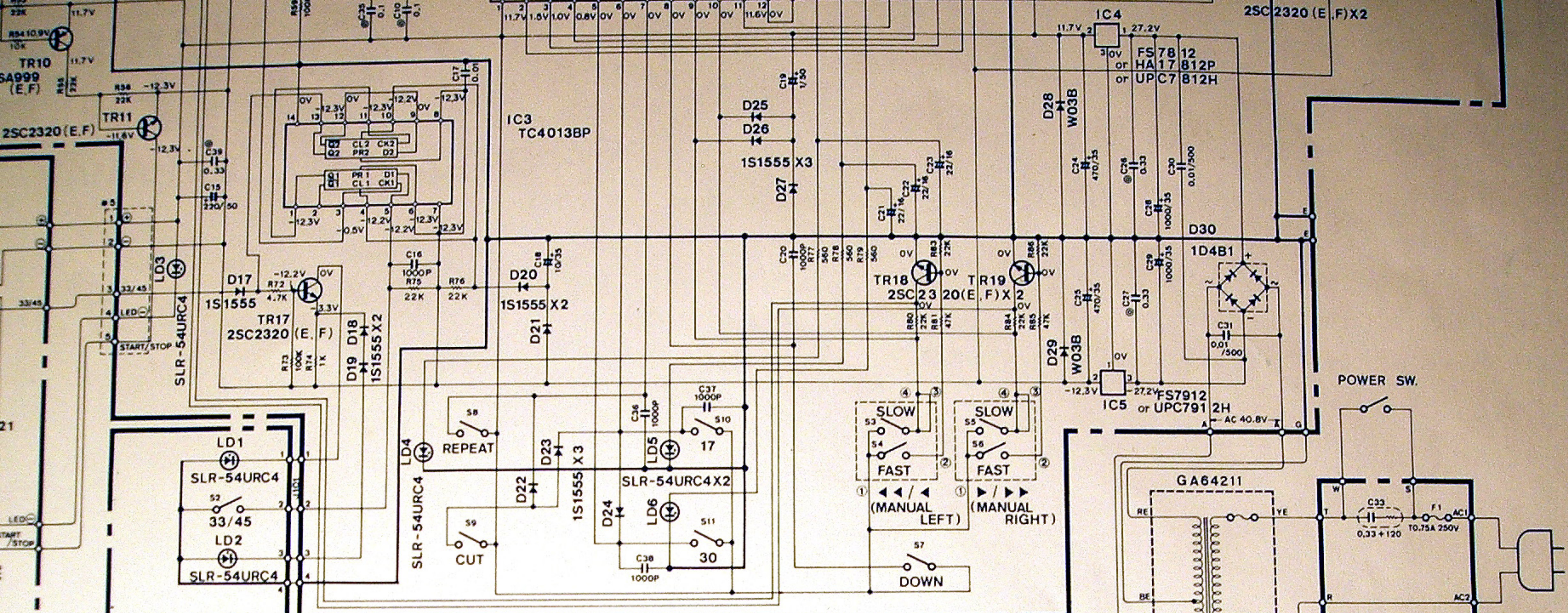
AY C. BOARD

CONTROL C. BOARD

TEST PIN

D.C. MOTOR
KCN-22 AITS





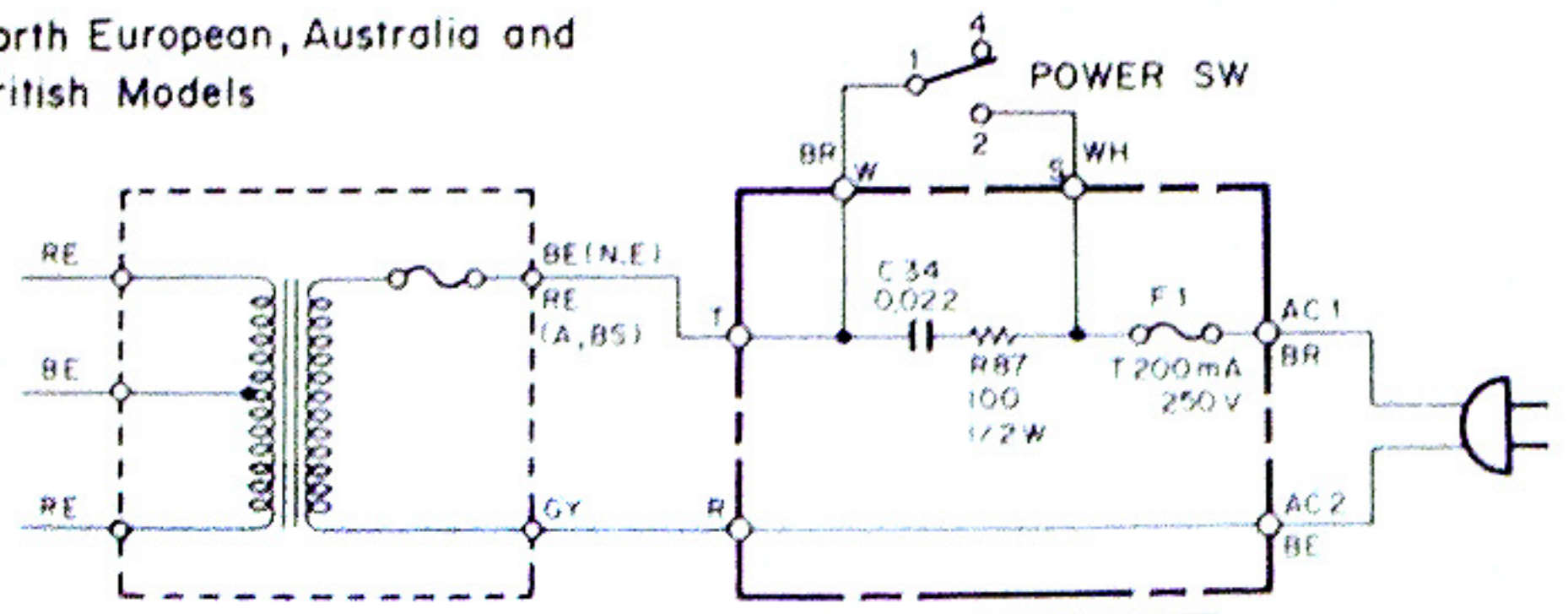
CONTROL C. BOARD

REMARKS	PARTS NAME
NO MARK	CARBON FILM RESISTOR
▲	METAL FILM RESISTOR
△	METAL OXIDE FILM RESISTOR
□	CEMENT MOLDED RESISTOR
*	FUSIBLE RESISTOR

REMARKS	PARTS NAME
NO MARK	CERAMIC CAPACITOR
⊗	POLYESTER FILM CAPACITOR

POWER SUPPLY C. BOARD

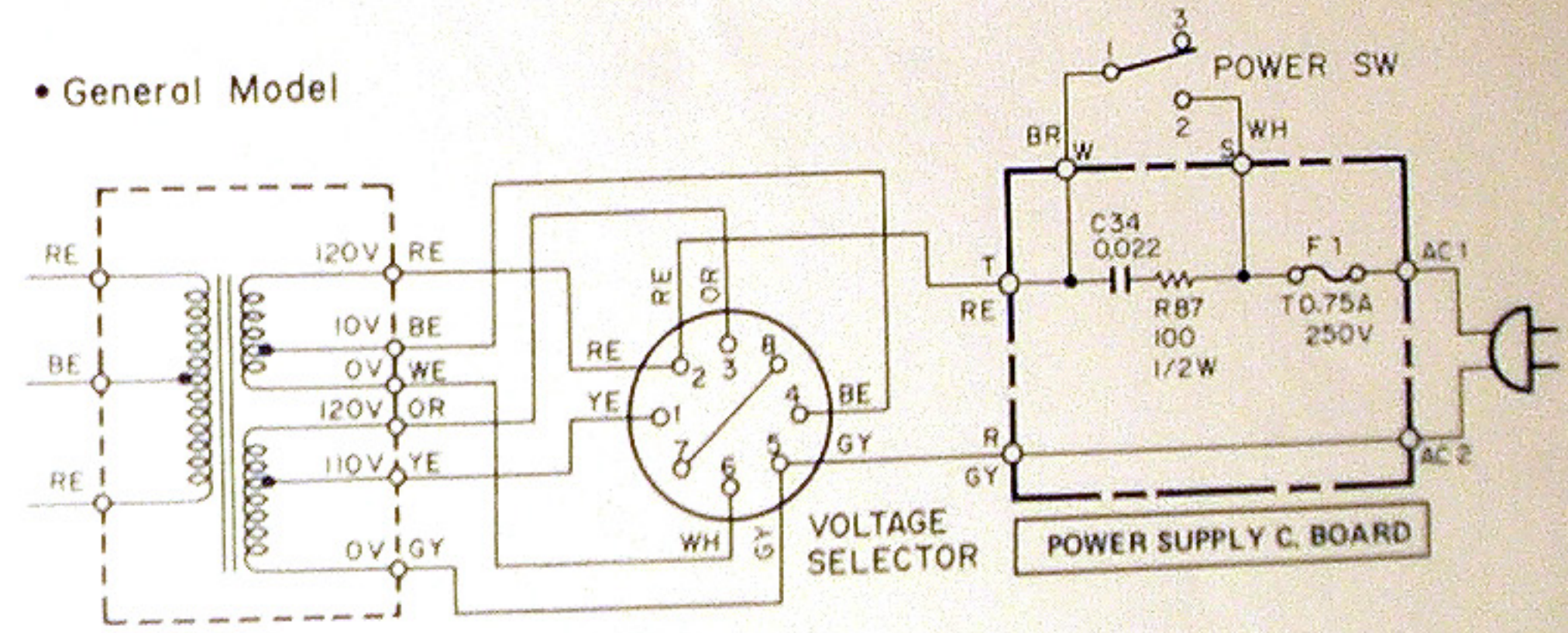
• North European, Australia and British Models



GA6422 : Australia and British
GA6423 : North European

POWER SUPPLY C. BOARD

• General Model



GA64200

POWER SUPPLY C. BOARD